



Installation Guide

MultiPro+™ 1.5 Servo Automation Controller

This guide contains installation and applications information for the MultiPro+™ 1.5 Servo Automation Controller.

You program the MultiPro+ 1.5 Servo controller using CTC's state programming language, Quickstep™ for Windows™. Using either an RS-232 interface or Ethernet communications, you can run all programming and diagnostic functions for the controller from your PC, as well as using them as a computer communications port.

This guide is divided into the following sections:

Dimensions and Mounting Instructions for the MultiPro+ 1.5 Servo	2
Controller Description and Connections	3
MultiPro+ 1.5 Servo Specifications	5
MultiPro+ 1.5 Servo Power Connections	8
Status Light Description	9
Connecting Digital Inputs	10
Connecting Digital Outputs	11
Setting-up RS-232 Controller Communications	14
Setting-up Ethernet Controller Communications	16
Programming a Servo	18
Setting Up Electronic Following	25
Setting Up Registration for a Servo	27
Servo Hardware Considerations	33
Sample Quickstep Programs	35
Special Purpose Registers for Servos	39

This document is current as of the following revision levels:

- Controller Firmware - 2.12
- Controller Hardware - A

Dimensions and Mounting Instructions for the MultiPro+ 1.5 Servo

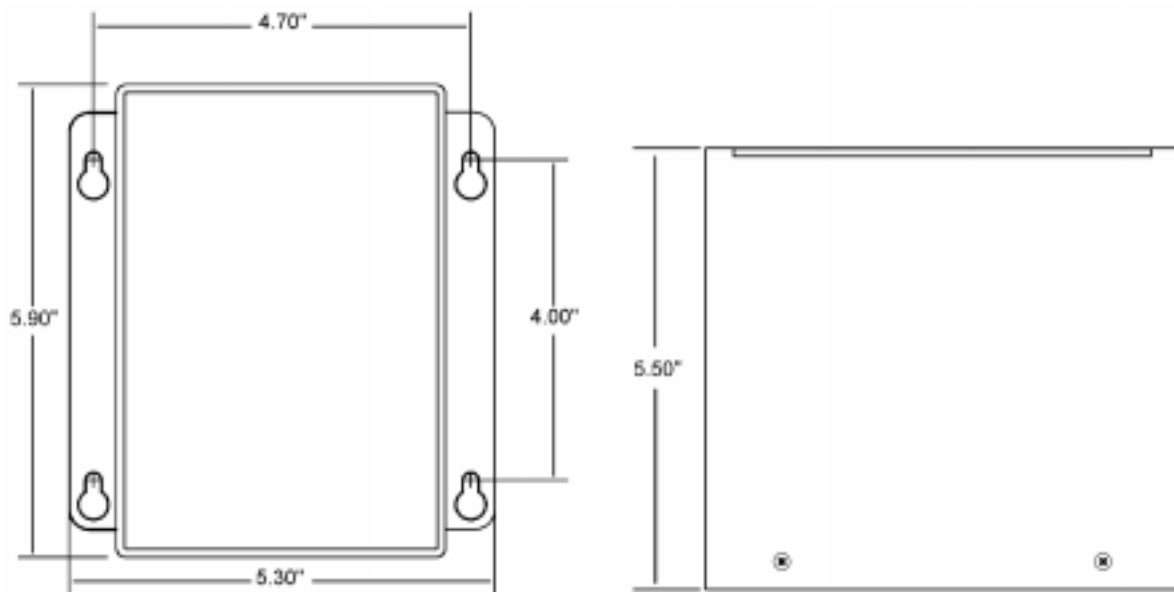
The MultiPro has mounting ears, allowing it to be easily mounted to a flat surface (for example, an NEMA-rated electrical enclosure) with four mounting bolts. You should follow the guidelines described in this installation guide to ensure a successful design.

Mounting Considerations

When selecting a mounting location for the controller, care should be taken to provide protection against various environmental factors:

- The controller should not be exposed to flying metal chips (be careful during installation and subsequent machine construction work.), conductive dusts, liquids or condensing humidity. In environments where these hazards may be present, the controller should be housed in an NEMA 4 or NEMA 12 rated enclosure, as appropriate.
- The controller is not intended for mounting in an environment requiring explosion proof practices.
- If possible, the controller should be mounted physically distant from devices producing electromagnetic interference (EMI) or radio frequency interference (RFI). This includes motor starters, relays, large power transformers, ultrasonic welding apparatus, etc.

The following illustration shows the dimensions of your MultiPro controller



Controller Description and Connections

Digital input connector: Provides access to the 16 inputs. Inputs are numbered 1 through 16.

Servo command connector: Provides access to the analog output for commanding a servo drive and the relay outputs for enabling a servo drive.

Power connector: Provides 24 VDC to the controller.

RS-232 channels: Provides both programming and data communications via a personal computer using Quickstep and CTCMON. Refer to the section, *Setting up RS-232 Controller Communications* for more information

Power indicator: This light is lit when the power is on whether or not the controller is in operation. It also indicates that the logic supply is present.

Transmit/Receive lights: Indicates when the controller is transmitting or receiving data or communications.

Status light: Indicates software or hardware faults. Refer to the section *Status Light Description* for additional information.

Ethernet status light: indicates that Ethernet communications are working correctly. The light goes on briefly at power up and then shuts off.

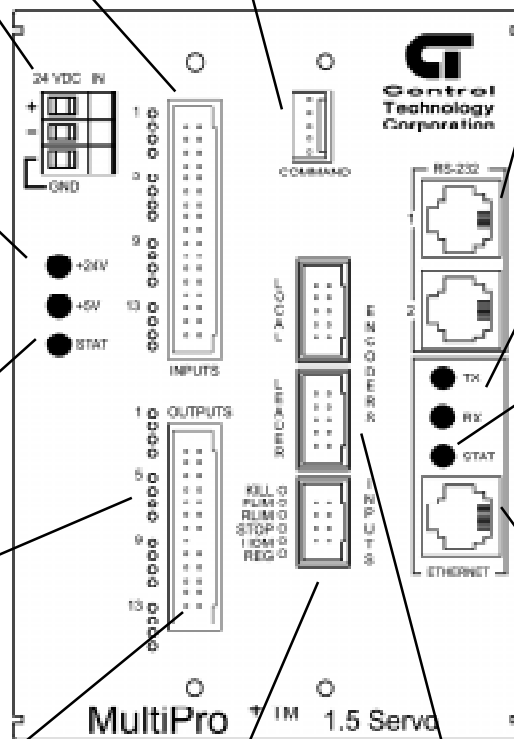
Led indicators: Each analog input and output has an LED indicator. An LED indicator lights up when its associated input or output is active.

Ethernet Port: Provides programming, data communications, and peer-to-peer communications. Refer to the section, *Setting up Ethernet Communications* for more information.

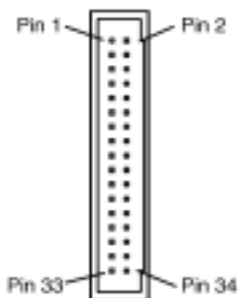
Digital output connector: Provides access to the controllers outputs. The outputs are numbered 1 through 16.

Servo encoder connectors: Provides connections to the leader and local encoders.

Dedicated input connector: Provides access to the 6 dedicated inputs on the servo board as well as, providing +24 for powering external sensors.

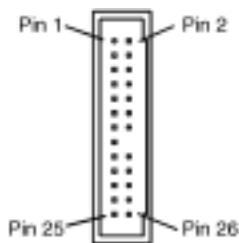


Controller Description and Connections



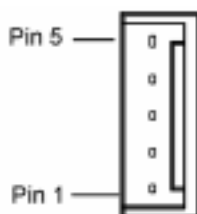
Digital Input Connector Wiring

Pin No.	Signal	Pin No.	Signal	Pin No.	Signal	Pin No.	Signal
1	Input 1	2	Return	19	Input 10	20	Return
3	Input 2	4	Return	21	Input 11	22	Return
5	Input 3	6	Return	23	Input 12	24	Return
7	Input 4	8	Return	25	Input 13	26	Return
9	Input 5	10	Return	27	Input 14	28	Return
11	Input 6	12	Return	29	Input 15	30	Return
13	Input 7	14	Return	31	Input 16	32	Return
15	Input 8	16	Return	33	+24 VDC	34	Return
17	Input 9	18	Return				



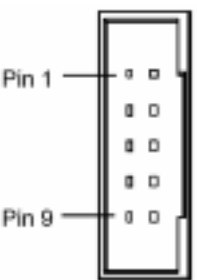
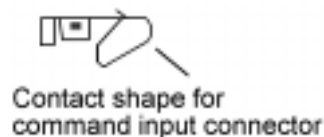
Digital Output 1-16 Connector Wiring

Pin No.	Signal	Pin No.	Signal	Pin No.	Signal	Pin No.	Signal
1	Output 1	2	Output 14	15	Output 8	16	No pin
3	Output 2	4	Output 15	17	Output 9	18	+24 VDC
5	Output 3	6	Output 16	19	Output 10	20	+24 VDC
7	Output 4	8	Return	21	Output 11	22	+24 VDC
9	Output 5	10	Return	23	Output 12	24	+24 VDC
11	Output 6	12	Return	25	Output 13	26	N/C
13	Output 7	14	Return				



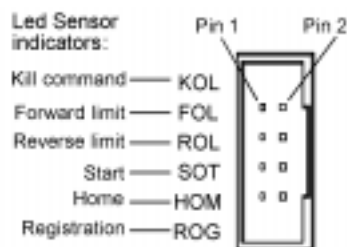
Servo Command Connector Wiring

Pin No.	Connection
1	Shield
2	Drive kill relay common
3	Drive kill relay (normally open)
4	Analog command return
5	Analog command output



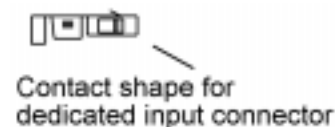
Servo Encoder Connector Wiring

Pin No.	Connection
1	Channel A+
2	Channel A-
3	Not used
4	Not used
5	Index -
6	5 VDC return
7	+5 VDC for encoder
8	Channel B+
9	Channel B-
10	Index +



Servo Dedicated Input Connector Wiring

Pin No.	Connection
1	Start
2	Kill command
3	Forward limit
4	Reverse limit
5	Home
6	Registration input
7	+24 VDC
8	+24 V return



MultiPro+ 1.5 Servo Specifications

CPU Specifications

CPU Characteristics	Min	Typ	Max	
Ambient Temperature				
operating	0		50	°C
storage	-20		80	°C
Voltage Range	22	24	27	VDC
Current Requirement@ 24VDC		.2	.3	Amp
CPU Power Requirements (5V)		0.2	0.25	Amp
User Memory Capacity (11 yr. Lithium-cell RAM)		24K		Bytes

These controllers use a 80C196 processor running at 18.432 MHz

CPU Typical Performance Specifications

	Typ
Sense input, jump to new step, change output	1 ms
Perform multiplication (between volatile registers)	1 ms
Time delay duration, 10 ms programmed	11.0 ms
Time delay duration, 1 . programmed	1.002 sec
Internal count rate	
up to 3 inputs being counted	500 Hz
4 to 6 inputs being counted	250 Hz
7 to 9 inputs being counted	166 Hz

Note: Performance specifications shown are with one task running. RS-232 communications may degrade count by up to 10%.

Controller Resource Summary

Multi-Tasking (number of tasks)	28
Volatile Registers (32-bit)	488
Non-Volatile Registers (32-bit)	500
Data Table Elements (16-bit, Nonvolatile)	8000
Input-linkable Counters	8
Flags	32
Program Steps	1024

Servo Specifications

Abosolute Maximum Ratings	Min	Max	
Command load resistance	2		kΩ
Encoder input voltage	0.0	+5.0	VDC
Encoder (+5 V.) supply output current (total - both axes)		500	mA
Ambient temperature (operating)	0	50	°C

Specifications	Min	Typ	Max	
Command outputs nominal voltage range	-10.0		+10.0	VDC
Differential encoder inputs				
Nominal input range	0.0		+5.0	VDC
Open-circuit voltage ($I_i = 0$ mA)		5.0	5.38	VDC
Logic-low current ($V_i = 0$ V.)		1.1	1.2	mA
Auxiliary Inputs (except Registration)				
Off voltage ($I_i = 0$ mA) - Note 2		24.0	26.4	VDC
On current ($V_i = 0$ V.)		2.12		mA

MultiPro+ 1.5 Servo Specifications

Servo Specifications (cond.)

Threshold				
low-to-high		14.0		VDC
high-to-low		12.5		VDC
Registration Auxiliary Input				
Off voltage ($I_i = 0$ mA)		24.0	26.4	VDC
On current ($V_i = 0$ V.)		2.28		mA
Threshold				
low-to-high		5.1		VDC
high-to-low		4.9		VDC

Performance Specifications	Min	Typ	Max	
Maximum velocity setting	1		4,000,000	Steps/sec
Resolution of max. velocity setting		1		Steps/sec
Accel and decel settings	1		130,000,000	Steps/sec ²
Resolution of accel/decel setting		1		Steps/sec ²
Position range (absolute mode)	-2,147,483,648		2,147,483,647	Steps
Relative motion command range	-2,147,483,648		2,147,483,647	Steps
Position registration accuracy		± 1		Count

Notes:

1. Specifications shown above are at 25° C., unless otherwise noted.
2. Dependent on controller auxiliary supply voltage (24 V. typ).
3. PID parameters are programmed as relative values in the range of 0 to 255. Acceleration (A_{ff}) and Velocity feedforward (V_{ff}) range from 0 to 32767.
4. In Performance Specifications, the term *Step* refers to one edge transition on either encoder input for that axis.
5. Ratio Range for both axis following and ratio control is ± 1 to 32767 minimum and ± 32767 to 1 maximum. Depending on the application, high ratios may result in instability.

Digital Input/Output Specifications

Input/Output Absolute Maximum ratings	Min	Typ	Max	
Applied input voltage	0		27.0	VDC
Applied output voltage	0		24.0	VDC
Output Current				
Single output			500	mA DC
Total limit			5	Amp DC

Digital Output Specifications (Outputs 1 -16)	Typ	Max	
Output on voltage ($I_o = 500$ mA)	0.8	1.8	VDC
Output off leakage (applied V = 24 V) - Note 3	0.01	0.75	μ A

Digital Input/Output Specifications (cond.)

Digital Input Specifications	Min	Typ	Max	
Input off voltage ($I_i = 0$ mA)		24.0	26.4	VDC
Input on current ($V_i = 0$ V)		-2.10	-2.85	mA
Input on current threshold ($V_i = 8$ V typ)		-1.0	-1.85	mA
Input off current (typ leakage current allowable)			-250	μ A

Notes:

1. Under normal operation, no external input voltage is applied – inputs should be externally switched to the input common.
 2. An on-board protection diode returns to +24 V from each output.
 3. In the off state, unconnected outputs are internally pulled to +5 V through a diode and an LED indicator.
 4. All Power Requirements are worst-case, with all inputs and/or outputs activated.
 5. Specifications shown above are at 25° C., unless otherwise noted.
-

RS-232 and Ethernet Specifications

Absolute Maximum Ratings			Max	
Current draw from on-board +5 V supply			110	mA (DC)

Operating Characteristics	Min	Typ	Max	
RS-232 Transmitters		9	12	V DC
RS-232 Receivers	3		12	V DC
EtherNet Transceivers (10 Megabit/sec)			1.5	AC PP

Network Performance Specifications		Max	
Host Communications			
Single register transaction from controller ²		2	ms
16 register read from controller ²		9 - 12	ms
50 register read from controller ²		10 - 13	ms
Peer-to-Peer Communications ²			
Single register transaction from controller		8	ms

Notes:

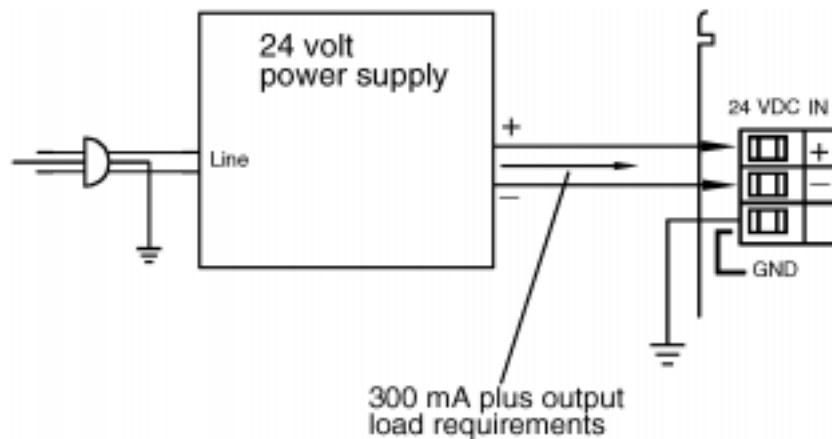
1. Specifications shown above are at 25° C, unless otherwise noted.
2. With high communications priority active or one task running.

MultiPro+ 1.5 Servo Power Connections

Connecting DC Power

The MultiPro+ 1.5 Servo contains an internal power supply which provides a +5 VDC isolated voltage for the operation of the controller.

The controller's power supply requires 24 VDC for proper operation. Power is applied to the controller via the power connector on the top of the controller. The controller's power system derives its operating voltage from the external 24 volt supply.



The Importance of Proper Grounding

As with any electronic equipment, the controller's ground should follow a direct, low-impedance path to the plant's power source. If possible, this path should not be shared by any machinery which injects a large amount of electrical noise into the ground.

For further consideration regarding noise protection, refer to the Application Note, *Reducing Noise Susceptibility*. Application notes may be obtained at no charge from your distributor or directly from CTC.

Status Light Description

The status light on the MultiPro can indicate one of the following conditions:

- **Software fault:** A periodic flashing light on the MultiPro indicates a program software fault. This means the controller was unable to execute due to an application problem within the program. To determine what type of software fault has occurred, you can view the program status using Quickstep for Windows' program monitoring utility, CTCMON.

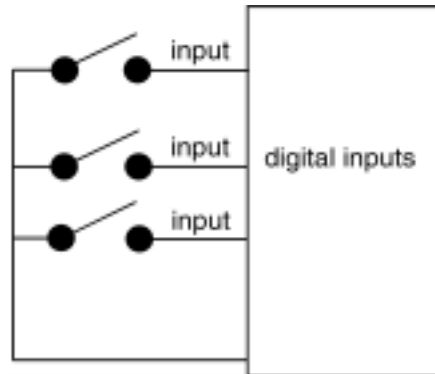
If a program software fault occurs, the controller is idle and all settable resources, such as outputs, registers or flags, are left in the state they were in prior to the software fault. You can program register 13009 to turn off a specific output in the event of a software fault. Refer to the list of special purpose registers for more information.

- **Hardware fault:** A steady red light indicates that the internal watch dog timer has disabled the controller's CPU. If this occurs, the controller's outputs are also disabled. Try cycling the power, re-downloading your Quickstep program, or both. If the fault continues, your controller may have to be returned to Control Technology Corp. for repair. For further details, contact our Technical Support department before returning your controller.

When powering-up the controller, the status light is a steady red light during the first second of operation.

Connecting Digital Inputs

The 16 digital inputs require only a switch closure to the **Return** (the common for the controller's 24 Volt supply) to actuate. Each input is internally self-powered from the 24 Volt power supply through a current limiting resistor, and is optoisolated from the controller's logic.



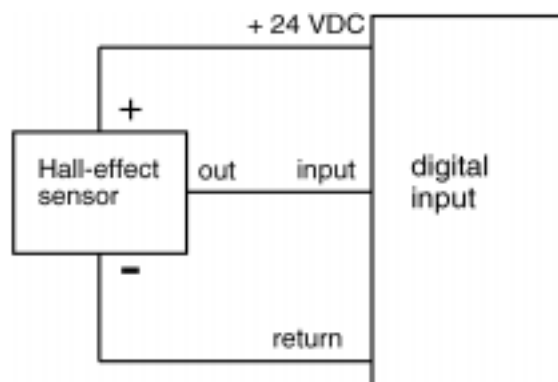
The controller senses when any of the inputs have been pulled down to return by a switch closure, and a Monitor instruction or any other programmed instruction referring to a general-purpose input can use this information.

Using Solid State Sensors

You can connect many types of electronic sensors to the inputs. You can connect three wire Hall-effect sensors, proximity sensors, and phototransistors without any additional circuitry. These devices should be specified as having sinking-type open-collector outputs (NPN) and must be capable of withstanding at least +24 volts on their output terminals when in the off state. The sensor must also be able to sink the required input current, i.e., 2.1 mA, when on.

NOTE: Do not use two-wire solid state sensors.

Electronic sensors typically require an external power source for powering their internal circuitry. The following illustration shows how to connect a solid state sensor.



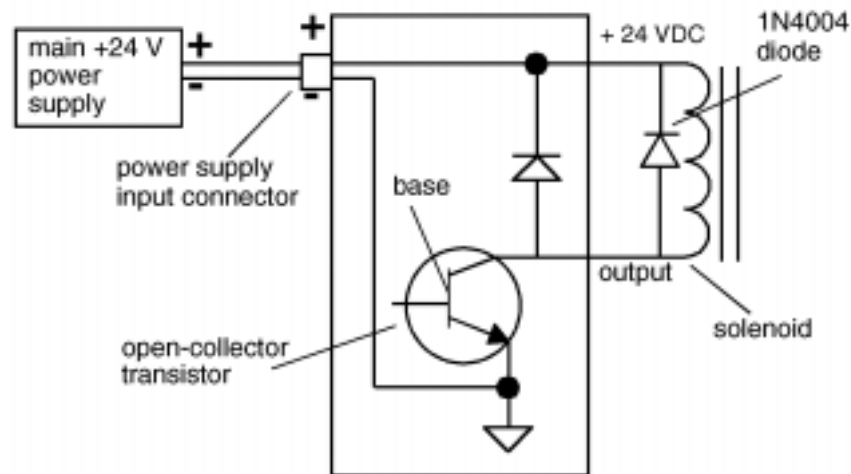
Connecting Digital Outputs

Using Open-collector Outputs

The MultiPro+ 1.5 Servo provides 16 outputs for driving external loads, such as solenoid valves, indicators, solid-state relays and other low-power DC loads. These outputs are in the form of open-collector transistors capable of switching loads up to 0.5 Amp DC

This type of output gets its name from the fact that the collector terminal of the output transistor is left open, or unconnected, to allow greater flexibility in its use.

An open-collector output, shown schematically below, performs roughly the same function as a switch contact with one side of the switch connected to ground. When the output is turned off, no current can flow through the transistor. This is the equivalent of the switch contact being open, because the device being controlled is turned off.



When the output is turned on, current is allowed to flow through the transistor, just as though a switch contact had been closed. The controlled device turns on in response to the flow of current.

To connect a device to an open-collector output, one terminal of the device is connected to the open-collector output (if the device is polarized, the negative [-] terminal is connected to the output). The remaining terminal of the device is connected to the positive side of the power supply.

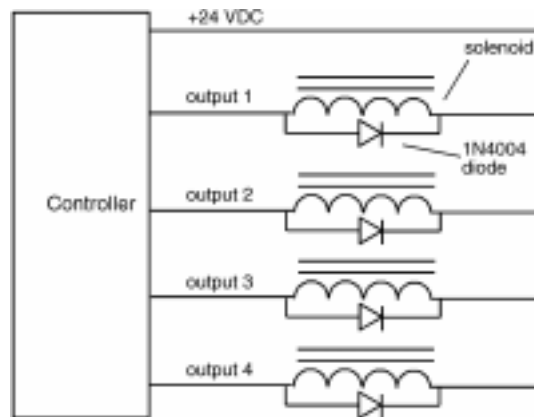
IMPORTANT! Control Tech recommends that you place a suppression diode across inductive loads. Use a 1N4004 diode or equivalent. The diode should go as close to the load as possible, as shown in the illustrations.

Care should be taken not to exceed the rated current of the power supply being used. When calculating the current requirements of your system, you only need to consider the maximum number of output devices to be turned on simultaneously plus .3 AMPs for the MultiPro+ in your calculation.

Connecting Digital Outputs

Connecting Multiple devices

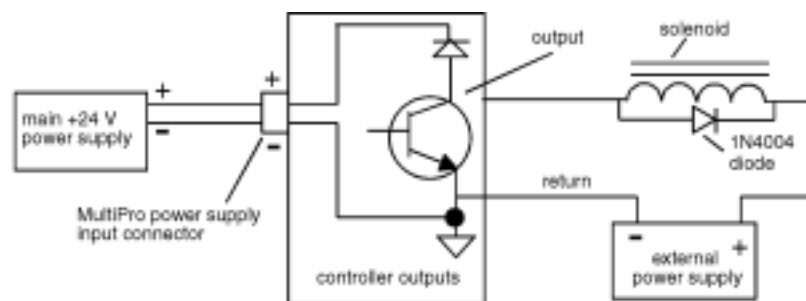
When powering multiple devices from the same power source, each device is connected with one of its leads attached to an independent output, and the other lead connected to the positive terminal of the power source. The following diagram shows four solenoid valves being controlled by outputs 1 through 4. All outputs are powered by the power supply which is powering the controller.



Connecting to a Second External Power Supply

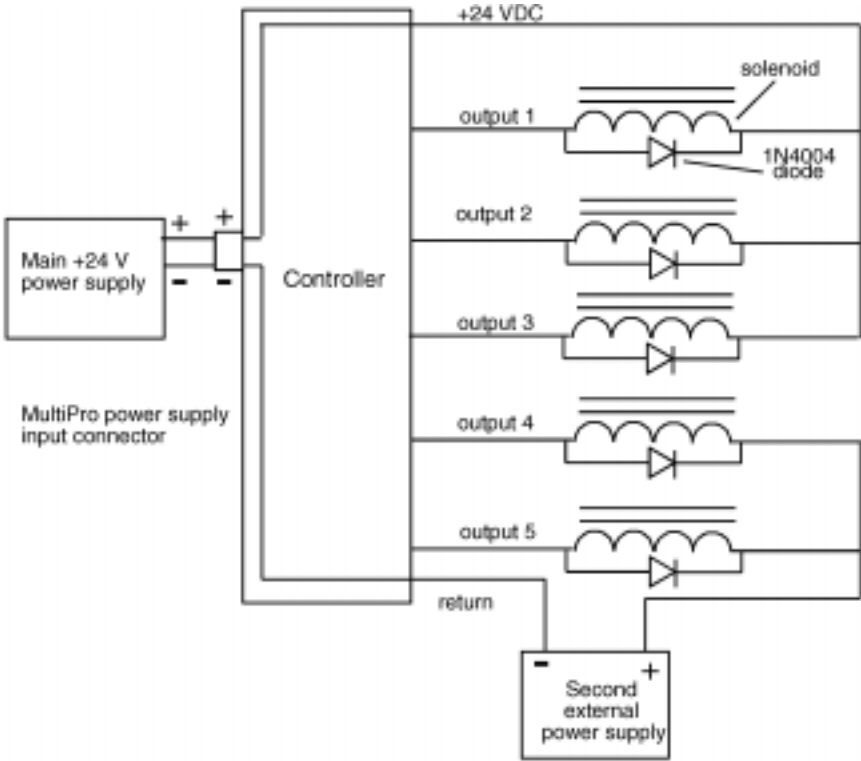
It is also possible to power some of the devices from a second external power supply, while powering others from the supply powering the controller. To do this, you must connect each device being controlled to the positive terminal of the appropriate power supply. Refer to the diagram on the next page. When connecting to an external power supply, do not connect the positive terminals of the two supplies together, either directly or indirectly.

IMPORTANT! Control Tech recommends that you place a diode across inductive loads. Use an IN4004 diode or equivalent. The diode should go as close to the load as possible, as shown in the illustrations.



WARNING: Each output has a protection diode with its cathode connected to the + 24 VDC power supply at the input connector. This diode prevents damage to the output when connected to an inductive load. If a separate power supply is used for the external devices, as shown above, a current path exists between the two supplies through the devices being controlled. Under normal operation this practice is okay. However some power supplies

when powered down, tend to offer a low impedance with respect to power supply return. If in the above configuration, the main power supply is powered down and the external one is not, the current from the external supply can energize the device connected to the output, turning it on. To prevent this, make sure that both supplies are powered up and down together.



IMPORTANT! Do not use an external power supply with an output voltage greater than the output voltage rating of the outputs.

Do not connect the positive [+] terminals of the power supplies together! Damage to one of the supplies may result.

Notice, in the diagram above, the connection between the negative [-] terminal of the external power supply and the return terminal on the controller's output connector. This is necessary to provide a complete circuit for the current travelling through the device being controlled.

Setting-up RS-232 Controller Communications

Using the RS-232 Port for Controller Communications

The RS-232 port on your MultiPro provides a means for both programming and data communications via a personal computer using Quickstep. The MultiPro is also equipped with a built-in protocol allowing direct computer communications with the controller's RS-232 port. This protocol is described in the *Guide to CTC Serial Data Communications*. It allows an external computer to directly interact with many of the controller's resources such as, counters, registers, I/O, flags, without modifying the controller's program.

You can also use RS-232 communications when monitoring a controller using CTCMON.

RS-232 Connections

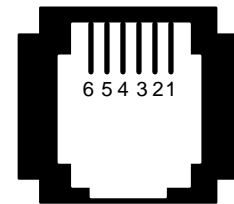
Connections to the MultiPro's RS-232 port is made via a modular jack on the controller (labelled COMM). This jack carries the receive signal, two commons (ground), and the transmit signal for the communications channel. The pin connection diagram illustrates the wiring of the jack. Only the center four connectors of a six- or eight-conductor jack are used.

A series of standard CTC cables are available for making connections to this jack. See the illustrations below and on the following page. As an alternative, many commonly-available telephone cables may be substituted.

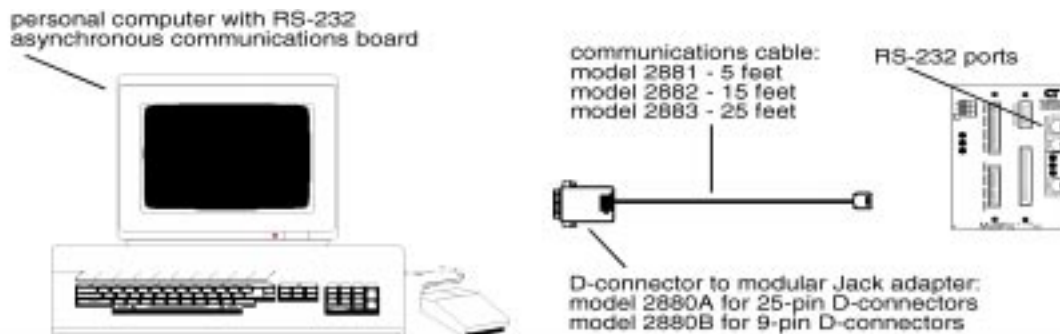
NOTE: Do not connect the controller to a telephone line.

Connecting to a D Connector

RS-232 ports on computers are frequently brought out through 25- or 9-pin D type connectors. There is a standard for wiring such connectors followed by most PC manufacturers.

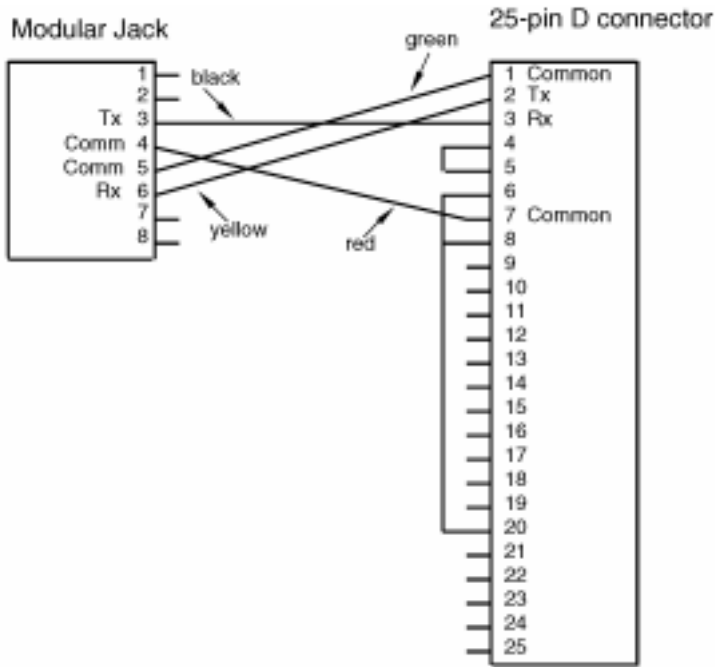
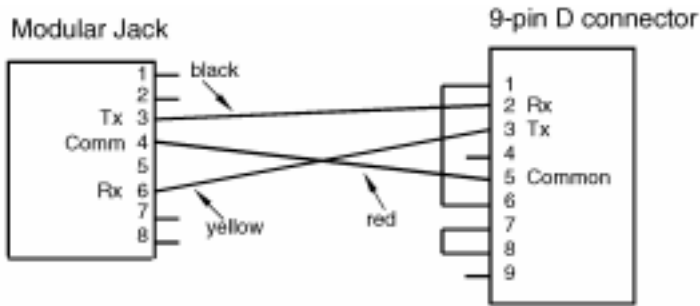


- 1 – +5*
 - 2 – TxD outbound
 - 3 – Common
 - 4 – Common
 - 5 – RxD inbound
 - 6 – +5 return*
- *COMM 1 only



Control tech has adapters available that connect directly to a male 25-pin (Model 2880A) or 9-pin (2880B) D connector. These adapters provide a modular jack wired for compatibility with the COMM port. To be fully compatible when using this

adapter, the computer's communications port should be wired as a DTE device.



Setting-up Ethernet Controller Communications

Using Ethernet for Controller Communications

Your MultiPro controller can access an ethernet network for controller-computer communications using 10BaseT connections. The connections to the controller Ethernet port uses Ethernet IEEE 802.3 standard connections. Control Tech recommends using category 5 cables and connectors, as well as category 5 wiring techniques.

MultiPro network capabilities are as follows:

- Ethernet IEEE 802.3 standard 10BaseT connections
- Data rates of 10 Mbps
- Host communications with:
 - Individual controller read/write capability
 - Downloading/uploading Quickstep programs
 - Access to all controller resources
- Peer-to-peer communications offering indirect node access
- Built-in error checking
- Network access from any controller RS-232 port

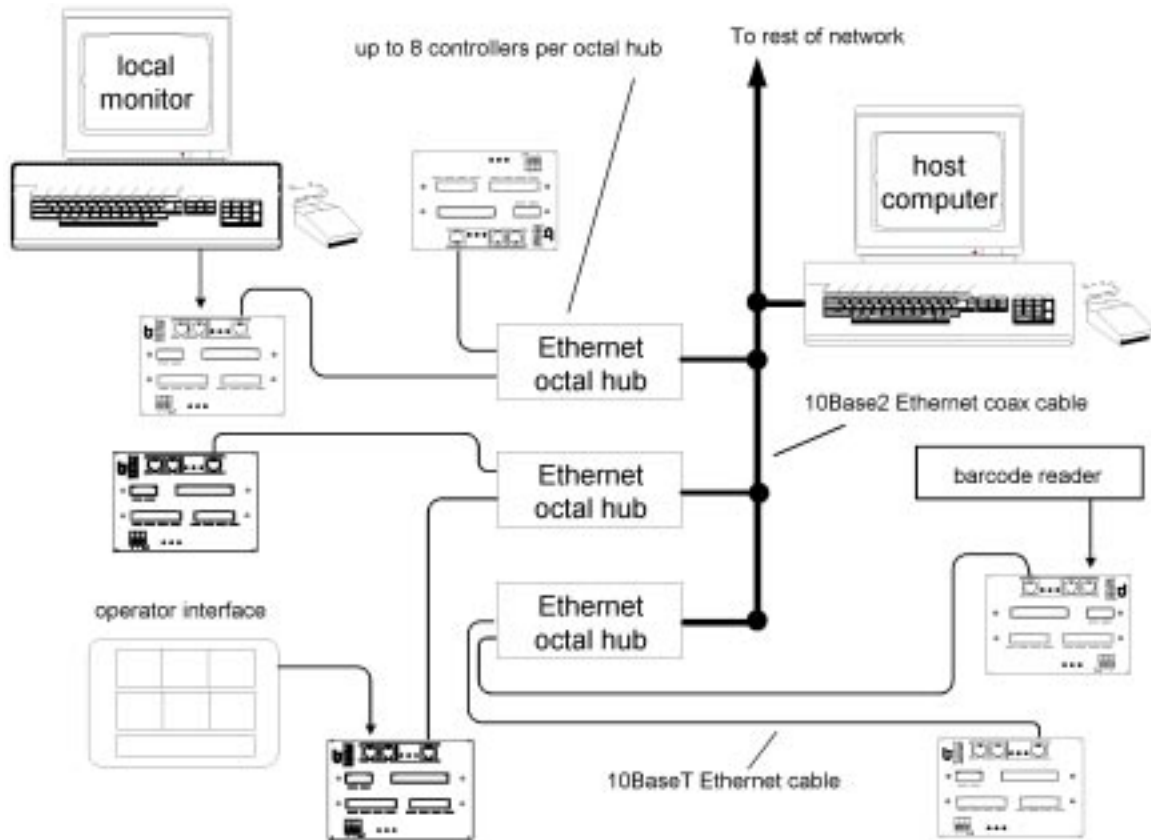
A host computer can interrogate the network area continuously, while at the same time local computers or operator interface terminal can access the network port using or conventional communications protocols from any controller's RS-232 port. For fast data retrieval, the controller supports block area transfer from a single command request both locally and over the network.

Other network specifications include:

- Maximum cable length per segment is 100 meters.
- Maximum cable length per network is 925 meters
- Total number of nodes supported is 999

The illustration on the following page shows computer-controller connections using an Ethernet network.

Sample Ethernet Network



Programming a Servo

The following Quickstep instructions are used to program a servo motor:

- Profile Servo
- Turn Servo
- Monitor Servo
- Zero Servo
- Search and Zero Servo
- Stop Servo
- If Servo
- Store Servo

Setting Up Servo Motor Operating Parameters

Before the controller can turn your servo motor, it must have a set of operating parameters. These parameters must be specified using the PROFILE SERVO instruction. Operating parameters for the motor are as follows:

- Max Speed – Establishes the maximum speed of the motor.
- Accel Rate – Specifies the acceleration rate of the motor. The deceleration rate is the same as the acceleration rate. See the section on *Setting Acceleration and Deceleration Parameters* for information on setting a different deceleration rate.
- P Parameter — This factor is called the system gain. It specifies the factor applied to the sensed position error to create a correction signal. The gain factor is highly depended of the gain of any external amplifier being used to drive the actuator. Possible values range from 1 to 255.
- I Parameter — The I (integral) factor is used to obtain increased accuracy at low frequencies. It integrates, or builds up, a corrective signal in response to steady-state error. A greater I factor will cause the filter to build up a corrective signal for even small amounts of error, greatly increasing the terminal accuracy of each move. Possible values range from 0 to 255.
- D Parameter — The D (derivative) factor senses and responds to rapidly changing rates of error. It is therefore most useful in increasing system response to varying loads and frictions at high speeds. Possible values range from 0 to 255.
- Holding Mode — Specifies the status of the servo when stopped, using one of the following parameters:
 - Servo at position — Once the servo reaches the desired position, the actuator will continuously seek this position. If the actuator is forced from its position, the MultiPro sends a correction signal to attempt to correct the perceived error.
 - Deadband of __ at position — The senses position errors but does not correct them unless the error is out of the range of the Deadband.
 - Off at position — Once the servo reaches position no further corrective action occurs. This allows manual adjustment or another external force to change the position of the servo.

The maximum speed is expressed in units of steps-per-second (steps/sec). Your programmed maximum speed has a resolution of about 1 steps/sec. The acceleration and deceleration is expressed in units of steps-per-second-per-second (steps/sec²) with a granularity of about 1 steps/sec².

The PROFILE SERVO instruction must appear before the first TURN SERVO instruction in your Quickstep program. If it is not executed prior to the first TURN SERVO instruction, a software fault stating, “Servo not ready,” results. Additional PROFILE SERVO instructions are only necessary when you want to change the motor’s operating parameters.

Re-profiling on-the-fly, which allows the servo to take on new settings during a motor motion, is possible. To re-profile the servo, program another PROFILE SERVO instruction with a new maximum speed or acceleration value. You do not have to re-specify a value that does not change.

IMPORTANT! Adjustments to the ramping (acceleration and deceleration) parameters while the servo is accelerating or decelerating causes an instantaneous change in the ramp that may be undesirable. To avoid this, make changes to the ramping parameters when the servo is stopped or turning at maximum speed. You can view the status of the servo by checking the appropriate special registers. For example, check register number 14301 for the current status of the first servo. Refer to the list of special registers for additional information.

Using Servo Filters

A servo filter is a high speed calculation used to continuously command an output to a servo system. The MultiPro offers a variety of filters that perform this function. The choice of which filter to use is based on the type of servo drive used in your application. If other than the default filter is used (PID), you must set the filter register, associated with each axis, prior to the initial profile.

PID Filter

The MultiPro's filter setting defaults to a calculation called PID (Proportional, Integral, Derivative). It is intended to be used with drives that are configured for **Torque** mode, sometimes also called **Current** mode. In this case, the command output (0 to ±10VDC) represents zero to full current of your servo drive's output. The polarity of the command output governs the direction of travel of your servo.

The difference between the actual position of a servo and the intended position is called servo error. Here, it is represented in encoder counts. At a rate of 2048 times per second, the MultiPro's servo board uses the following equation to command the servo:

$$\text{Servo Output} = (\text{position_error} * \text{User_Proportional}) + [(\text{position_error} - \text{last_position_error}) * \text{User_Differential}] + (\text{cumulative_error} * \text{User_Integral})$$

The result of this calculation is scaled into the span of the servo board's analog output in the form of a new command signal. The MultiPro's servo board then adds the servo error to the cumulative error and records the servo error in preparation of the next calculation.

PAV Filter

Storing a value of five (5) to the filter register (Register 17001) prior to the initial profile instruction selects the PAV (Proportional, Acceleration-Feedforward, Velocity-Feedforward) filter. This filter is intended for use with drives configured for velocity mode. Here, the analog command output of the servo board (0 to ±10 VDC) represents zero to full velocity of the servo drive's and motor's capabilities (or configuration). The polarity of the command output governs the direction of travel of your motor.

The MultiPro's servo board uses the following calculation when you specify the PAV filter:

$$\text{Servo Output} = (\text{position_error} * \text{User_Proportional}) + (\text{change_in_velocity} * \text{User_AccelFF}) + (\text{current_velocity} * \text{User_VelocityFF})$$

The final result of this calculation is scaled into the span of the analog output of the servo board in the form of a new command signal.

In this mode, the controller ignores the I gain and the D gain in the profile instruction. However, You must specify some value for them when writing your Quickstep program, for the compiler and proper program operation. Control Tech recommends setting them to zero. The Feedforward parameters are set using special-purpose registers. See the register description for registers 14501 and 14801 on page 39.

Direct Mode

In applications where a servo-loop is not desired but you wish to command a velocity output, you can set each axis of the MultiPro into direct mode. In this case, you can set a register to a value between 0 and 32767 to command a 0 to 10 VDC output. The Velocity-Feedforward register is used for this purpose. See the register description for register 14501 on page 39.

Programming a Servo

To configure a servo axis into direct mode, you must store a value of one (1) for counter clockwise direction (negative command signal) or a value of two (2) for clockwise direction (positive command signal) prior to profiling the axis. For additional information on specifying servo direction using Direct Mode, see the descriptions for register 17001.

You must program a complete profile instruction in your Quickstep program and it must be executed for this feature to be active. Control Tech. recommends setting servo parameters before placing a servo in direct mode.

PIVAFF

This filter is for CTC testing only and should not be used.

Sample Servo Motor Tuning Program

The following program is a sample program for tuning a servo motor. It consists of two tasks, `SERVO_ERROR` and `RUN_SERVO`. `SERVO_ERROR` monitors the servo error. If the error exceeds the value specified, it turns off the output to the servo driver and stops the servo. `RUN_SERVO` tunes the servo with the P, I, and D parameters. It turns the servo clockwise and counter clockwise, allowing for a technician to adjust the three turning factors.

```
[1] NEW_SERVO_PROGRAM
    ;;
    ;; This is program tunes a servo for Torque mode
    ;; operation. It consists of two tasks: SERVO_ERROR and
    ;; RUN SERV. If your servo drive must be enabled by
    ;; turning on an output from the controller, you must
    ;; specify and turn on the output in this step.
    ;;
    -----
OUT_1_ON
    -----
profile servo_1 servo at position maxspeed=reg_501
  accel=reg_502 P=reg_503 I=reg_504 D=reg_505
zero servo_1
monitor in_1A goto Next

[2] START_TASKS
    ;;
    -----
<NO CHANGE IN DIGITAL OUTPUTS>
    -----
do ( RUN_SERVO SERVO_ERROR) goto NEW_SERVO_PROGRAM

[3] SERVO_ERROR
    ;;
    ;; This task monitors servo error and shuts down the
    ;; drive if servo error is too great. For tuning pur
    ;; poses, we use an error of 4000 encoder counts. For a
    ;; 500 line encoder, this equates to two revolutions.
    ;; After the servo is tuned, you may wish to reduce this
    ;; servo error, if you include such a task in your
    ;; program.
    -----
<NO CHANGE IN DIGITAL OUTPUTS>
    -----
store servo_1:error to reg_515
store servo_1:position to reg_516
if servo_1:error > 4000 goto STOP_SERVO
if servo_1:error < -4000 goto STOP_SERVO
goto SERVO_ERROR
```

```

[4] STOP_SERVO
    ;;;
    ;;; In this program, we assume your servo drive must be
    ;;; enabled by turning on an output. This step stops the
    ;;; servo by sending a hard stop command and by turning
    ;;; off the output that enabled the drive.
    -----
    OUT_1_OFF
    -----

    stop (hard) servo_1
    cancel other tasks
    monitor servo_1:stopped goto NEW_SERVO_PROGRAM
[5] RUN_SERVO
    ;;;
    ;;; This step turns the servo clockwise. While the servo
    ;;; is in motion, it can be tuned by programming the tuning
    ;;; parameters to access registers. The program executes
    ;;; a clockwise turn followed by a counter clockwise
    ;;; return. The tuning process is as follows:
    ;;;
    ;;; 1. Set the P parameter to 1, the I parameter to 0, and
    ;;; the D parameter to 0.
    ;;;
    ;;; 2. Set switch 1 and watch/listen to the servo. It
    ;;; should turn, but it will be "mushy".
    ;;;
    ;;; 3. While it is turning, increase the D parameter in
    ;;; increments of 10 up to a maximum of 255, until the
    ;;; servo stabilizes.
    ;;;
    ;;; 4. Increase the P parameter until the servo becomes
    ;;; unstable, then reduce it until the servo becomes
    ;;; stabilized again.
    ;;;
    ;;; 5. While monitoring the servo error, increase the I
    ;;; parameter to minimize the servo error to the point
    ;;; where the servo becomes unstable, then reduce it until
    ;;; the servo stabilizes again. Your servo is now tuned!
    ;;;
    ;;; NOTE: Please insure you have loaded the appropriate
    ;;; registers with valid values before switch No. 1
    ;;; is set.
    -----
    <NO CHANGE IN DIGITAL OUTPUTS>
    -----

    profile servo_1 maxspeed=reg_501 accel=reg_502 P=reg_503
    I=reg_504 D=reg_505
    turn servo_1 to 4000
    monitor servo_1:stopped goto Next
[6] DELAY_STEP
    ;;;
    -----
    <NO CHANGE IN DIGITAL OUTPUTS>
    -----

    delay 1 sec goto next

```

Programming a Servo

```
[7] REVERSE_DIRECTION
    ;;; This step reverses direction of the servo and returns
    ;;; it to the starting position.
    -----
    <NO CHANGE IN DIGITAL OUTPUTS>
    -----

    profile servo_1 maxspeed=reg_501 accel=reg_502 P=reg_503
      I=reg_504 D=reg_505
    turn servo_1 to 0
    monitor servo_1:stopped goto next

[10] DELAY_2
    ;;;
    ;;; After the delay, the program returns to the
    ;;; RUN_SERVO step and starts the cycle over. Since
    ;;; RUN_SERVO step specifies the servo profile, we can
    ;;; change the P, I, D parameters to optimize motor
    ;;; performance.
    -----
    <NO CHANGE IN DIGITAL OUTPUTS>
    -----

    delay 1 sec goto RUN_SERVO
```

Setting Acceleration and Deceleration Values

The `PROFILE SERVO` instruction acceleration parameter sets both the acceleration and deceleration values. If you want the acceleration and deceleration values to be different, use one of the group or individual access special purpose registers to set a different deceleration value. For example:

```
profile servo_1 max=50000 accel=100000
store 20000 to reg_15006 (axis No. 1 deceleration register)
```

sets the acceleration equal to 100000 steps/sec² and the deceleration equal to 20000 steps/sec². Refer to the list of special purpose registers for the appropriate register number for each axis.

NOTE: If you specify a new acceleration rate, the deceleration rate is overwritten by the new acceleration rate. You must re-specify the deceleration rate.

Searching for Home

Each servo axis has a dedicated home input. This is most often used in conjunction with the `SEARCH` instruction to set a home position for the axis. When home is sensed, the servo stops and the position is set to zero.

The MultiPro supports a highly accurate method of finding the home position. In addition to providing direct support for a two-stage homing routine, the MultiPro can also make use of the index signal available on many encoders to further increase the consistency of the home position. An additional input is provided for each axis on this module to accept the index signal.

The homing sequence is as follows. The directions of travel specified are the default (counter clockwise). It is possible to reverse these directions using a special purpose register.

1. When the controller executes a Search and Zero Servo instruction, the servo begins searching in a counterclockwise direction at the acceleration rate and maxspeed specified in the most recent Profile instruction.
2. When the home input closes (turns on), the servo stops at the profiled deceleration rate.
3. The servo then automatically begins searching in a clockwise direction at a fixed speed of 950 steps per second.
4. When the home input turns on again, the speed decreases to 192 steps per second.

-
5. When the home input opens (turns off), the servo hard stops.
 6. If the encoder's index marker signal is connected to the index input on the module (this is automatically sensed), the servo begins searching in the counterclockwise direction at a speed of 192 steps per second.
 7. When the index marker is sensed, the servo hard stops and the position is set to zero.

Specifying the Homing Direction

The direction of the homing motions described above can be reversed by storing the number 1 to special purpose register 17003. You can restore operation to the default directions shown above by storing 0 or -1 to the register.

Turning a Servo

There are three modes of turning the servo:

1. Absolute Positioning – In Absolute Positioning the MultiPro's servo board always references the home (or zero) position in a turn instruction and moves a specified distance from home position. For example, the following instruction

```
turn servo_1 to 50000 instruction
```

causes the servo to position itself 50000 steps from home. The servo automatically turns in the correct direction to reach the new position.

2. Relative Positioning – In Relative Positioning, the direction of the turn, either clockwise or counter clockwise, is specified in the turn instruction along with a defined number of steps to turn. For example, the following instruction

```
turn servo_1 cw 12340 steps
```

turns the servo 12340 steps clockwise from its current position.

3. Velocity Control – In this case, you establish a direction and begin continuous operation. The maximum speed and acceleration are based on the current profile instruction and can be changed. For example, the following instruction

```
turn servo_1 cw
```

starts the servo turning clockwise at its current maximum speed and acceleration. The servo will continue to turn until the controller issues a STOP SERVO instruction or until a Limit or Stop input is activated.

Once a servo is in motion do not initiate another turn or zero instruction until the motion is complete, or a software fault, "servo not ready," results. Use the MONITOR SERVO instruction to check the current status (running/stopped) of the servo.

The MultiPro's servo board tracks the position of the servo through all three types of instructions, allowing you to use all three types of positioning and control in the same program.

NOTE: Quickstep instructions specifying clockwise or counter clockwise operations assume the following:

- The servo is wired according to manufacturer's recommendations.
- The logical sense of the direction output of the MultiPro's servo board agrees with the logical sense expected by the servo's drive.

Stopping the Servo

There are two instructions that terminate the motion of a servo already in motion:

- STOP (SOFT) SERVO causes the servo to stop at the deceleration rate specified in the last profile instruction.

Programming a Servo

- STOP (HARD) SERVO causes the MultiPro's servo board to try to stop the servo instantly. However, because of momentum, the servo may not stop instantly.

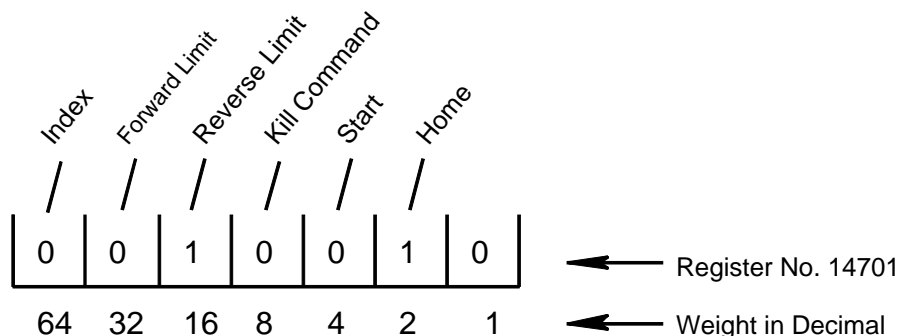
In either case, you should use a MONITOR SERVO STOPPED instruction before issuing another turn instruction.

Monitoring and Changing Other Servo Parameters

There are a number of special purpose registers available that allow you to monitor and change the servo parameters. For more information, refer to the list of special purpose registers for the MultiPro+ 1.5 Servo.

Monitoring Dedicated Inputs

Group access register 14701 or individual access registers 15007 can return a bit pattern that indicates which, if any, of the dedicated inputs are active. The number of the dedicated input is stored as a binary representation (of the input number) in the register. Each input has its own binary value.



In the illustration above, the home and reverse limit inputs are shown as active. Register 14701 would return a value of 18, because the respective weights of the inputs are 2 and 16. To test any individual input, the bitwise AND instruction may be used to apply a mask to the register. The following instruction applies a bit mask that tests to see if the Home input is active:

```
[1] TEST_FOR_HOME_AXIS1  
    ;;; Home = 2
```

<NO CHANGE IN DIGITAL OUTPUTS>

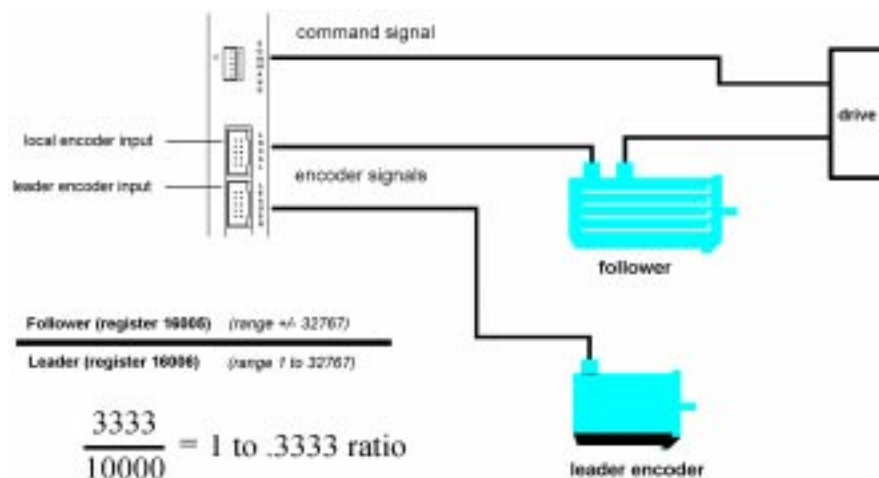
```
store reg_14701 and 2 to reg_10  
if reg_10 = 2 goto FOUND_HOME  
goto TEST_FOR_HOME_AXIS1
```

The Index bit (64) is inverted. If you are not using the index marker on your encoder, then the controller sets this bit continuously. If you are using the index marker, the controller only set this bit when the encoder position reaches the index position. This occurs only once per revolution of the encoder.

Setting Up Electronic Following

MultiPro+ 1.5 Servo supports a local encoder port, for connection to the servo motor, and a leader encoder port, for connection to your external encoder. This function is called electronic following. In electronic following, one servo axis is commanded to match its motions to a leader or encoder based on a specific ratio. You can create this ratioing function using two special registers and two simple Quickstep instructions. You can even adjust the ratios on the fly within your Quickstep program. The controller defaults to encoder following when placed into ratio mode.

The following illustration shows 1.5 axis encoder following



Configuring Electronic Following

To configure an axis for following, you set two special purpose registers for the follower axis as if defining a fraction. The first register specifies the numerator and represents the follower axis, and the second register specifies the denominator and represents the leader axis. It is up to the programmer to decide how the fraction is described; meaning a 1/1 fraction and a 10,000/10,000 fraction both define a one-to-one ratio. However, to achieve better resolution in your application you may want to use more places in the fraction. For example, defining a fraction of 9,978/10,000 will cause the follower to be geared slightly lower than leader.

Special register 16005 specifies the numerator and register 16006 specifies the denominator.

You must define a complete PROFILE SERVO instruction with working tuning parameters for the follower axis prior to storing the values to the follower's special purpose registers for ratioing. Once the values are stored, the follower is engaged and begins following the leader. While engaged, the follower's status register (register 14301 or 15003) contains the number 10, indicating it is following its leader.

When you activate the follower axis, the servo board automatically resets the leader's position to zero. When electronic following is active, you cannot reset the leader's position using a Quickstep instruction.

- Notes:**
1. The maximum values for the fraction is $\pm 32767 / 32767$. The sign of the numerator represents the direction the follower will travel with respect to the leader.
 2. The servo board automatically accumulates and adjusts for fractional remainders to maintain synchronization between the follower and the leader. This will account for ratios like 1/3, which calculate a continuous remainder.

Setting Up Electronic Following

Ending Electronic Following

To disengage the axis from following the leader you can store a 0 to the numerator, causing the axis to decelerate to a stop at the profiled deceleration, or you can execute a STOP SERVO (soft) or (hard) instruction. If you have also programmed your servo for a registration move, a valid registration input with an offset value causes the follower axis to depart from the leader. The follower axis then begins the offset move, later coming to a stop.

Reading Current Position and Velocity

Special register 16007 specifies the current leader position, and special register 16008 specifies the current leader velocity registers. Leader position is expressed in encoder pulses, and leader velocity is expressed as encoder pulse-per-second.

These registers are read-only and can be used to monitor real-time leader activities from within your Quickstep program. They are also updated approximately every 250 ms.

The following examples show how to set up encoder following.

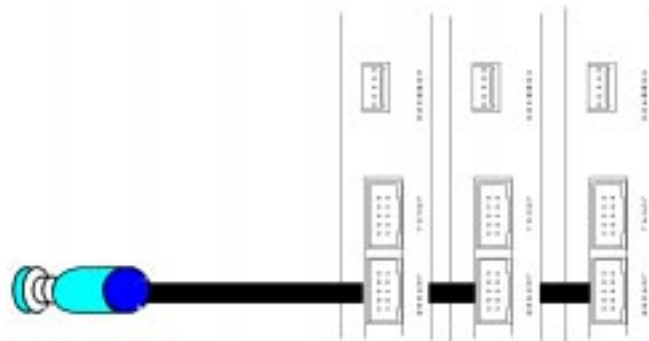
```
[15] ENCODER_FOLLOWING
    ;;;
    ;;; Example encoder following program.
    ;;;
    ;;; Follower_Servo_1 is the follower axis
    ;;; In this example, the follower will follow
    ;;; the leader at a 1:10 ratio
    ;;;
```

<NO CHANGE IN DIGITAL OUTPUTS>

```
profile Follower_Servo_1 servo at position maxspeed=
  Max accel=Accel P=Pval I=Ival D=Dval
store 1000 to Numerator_r16005
store 10000 to Denominator_r16006
```

Interconnecting Multiple Followers with the same Leader:

If your application requires one leader with multiple followers you can daisy-chain the leader encoder signals across up to three MultiPro+ 1.5 Servo controllers. To daisy-chain more followers, you need an encoder expander board to distribute the encoder signals.



Setting Up Registration for a Servo

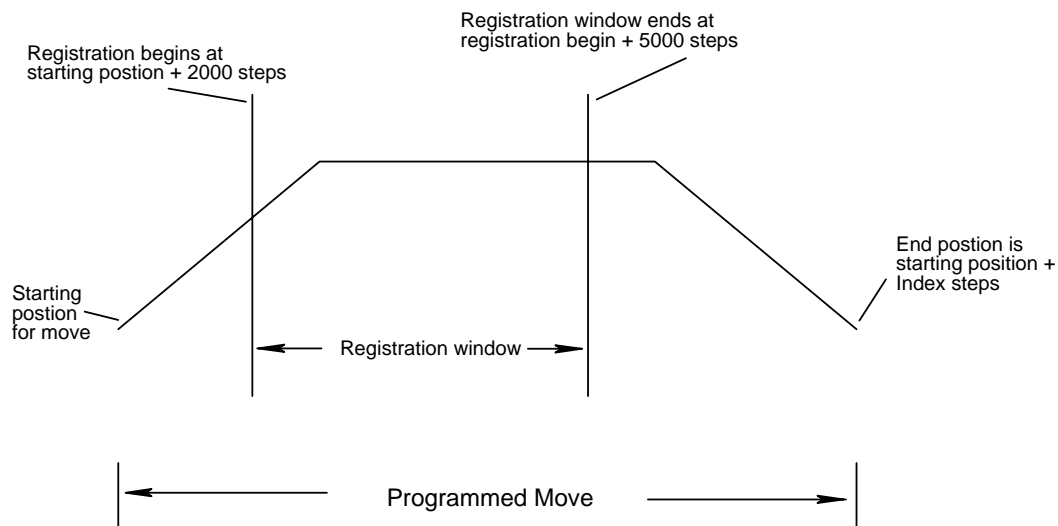
The MultiPro+ 1.5 Servo is set up with a special registration input. The registration input works in conjunction with a series of special registers. If you have an application requiring automatic synchronization of a product from one cycle to another, the registration input in conjunction with the special registers provides a method of recording real-time position information. Both axes has the ability to record the absolute position of the servo when the registration input is activated. The MultiPro's servo board also has the ability to change the current servo motion and adjust the end position of the move for reliable synchronization. No matter what your application is, registration on the MultiPro+ 1.5 Servo is so accurate that the servo's absolute position is captured with a resolution of ± 1 encoder count (step) regardless of the servo's velocity.

Designating a Predefined Registration Window

The registration input is usually connected to some type of electronic sensor or photo eye. To make use of the registration feature, you need to define the window in which the servo should expect the electronic sensor to activate the registration input.

A predefined registration window tells the servo which part of its move to look for an input from the sensor. The position of the servo is only captured if the sensor triggered the registration input in this window. The MultiPro's servo board does not record the position of the servo if the sensor triggers the registration input outside of this window. This way no other event can trigger registration. You define the size and range of the registration window using the special registers set up for this purpose. In the following example, the servo is programmed to move a specific distance (labeled Index). This example defines the registration window for servo 1. The registration window is 5000 steps long. The servo begins looking for a registration input when its absolute position is at 2000 steps and ends when its absolute position is at 7000 steps. To define this window, we must enter the following values in registers 16000 and 16001.

- Register 16000 is set to 2000, meaning that the registration window begins at 2000 steps from the beginning of servo 1's move.
- Register 16001 is set 5000, meaning that after the servo travels another 5000 steps the registration window ends.



Setting Up Registration for a Servo

If the sensor is triggered during the registration window, the controller records the absolute position of the servo in register 16002. If the sensor is triggered outside of the registration window, the controller does not record the servo's position.

At the same time the controller records the servo's absolute position, it also sets the value in register 16004 to 1. As long as the value in register 16004 is 1, the absolute position of the servo where registration occurred is locked into register 16002. The controller does not change the value in register 16002 until the value in register 16004 is reset to zero by your Quickstep program. Resetting register 16004 rearms registration for the next move.

For a listing of special registers, see *Special Purpose Registers for Servos*.

The following program shows how to set up and use a predefined registration window:

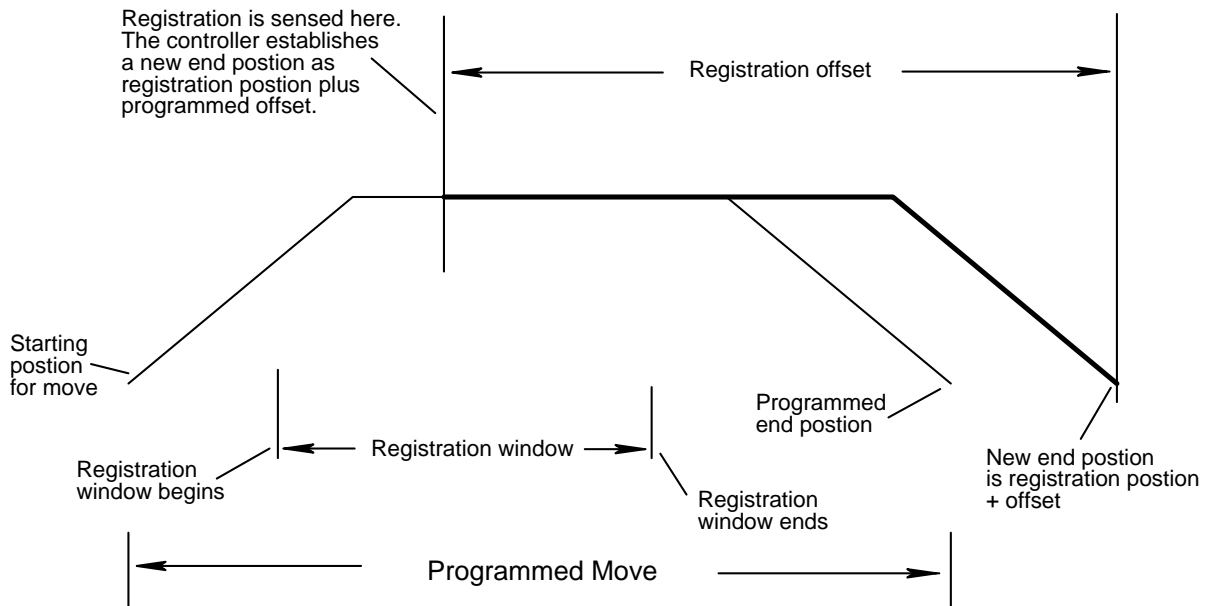
```
[1] REGISTRATION_EXAMPLE
    ;;;
    -----
    <NO CHANGE IN DIGITAL OUTPUTS>
    -----
    store 5000 to Reg_16001
    goto Next
[2] REGISTRATION_MOVE
    ;;;
    ;;;
    -----
    <NO CHANGE IN DIGITAL OUTPUTS>
    -----
    profile Servo_1 servo at position maxspeed=Reg_501 accel=
      Reg_502 P=Reg_503 I=Reg_504 D=Reg_505
    store Servo_1:position + 2000 to Reg_16000
    store 0 to Reg_16004
    turn Servo_1 ccw Index steps
    monitor Servo_1:stopped goto Next
[3] REGISTRATION_CHECK
    ;;;
    -----
    <NO CHANGE IN DIGITAL OUTPUTS>
    -----
    if Reg_16004=1 goto GOT_REGISTRATION
    delay Reg_100 sec goto REGISTRATION_MOVE
[4] GOT_REGISTRATION
    ;;;
    -----
    <NO CHANGE IN DIGITAL OUTPUTS>
    -----
    store Reg_16002 to Reg_10
```

Using Registration to Change the End Position of a Move

Some applications require registration to change the end target position of the servo's move while the servo is still in motion. The MultiPro allows you to program an offset position which can be added to the captured registration position. It uses this new position to redefine the stopping point for the current motion and overwrites the original destination programmed. This allows for precise correction to your motion based on when registration was sensed.

In the following example, if registration is sensed within the registration window, the servo defines a new end position by adding the number of steps defined in the offset register (register 16003) to the position where the sensor was triggered.

- Register 16000 is set to 2000, meaning that the registration window begins at 2000 steps from the beginning of servo 1's move.
- Register 16001 is set 5000, meaning that after the servo travels another 5000 steps the registration window ends.
- Register 16003 is set to 7500, meaning that the new end position for the move is 7500 steps after the servo senses the registration input.



When the sensor is triggered during the registration window, the controller does the following:

- Record the absolute position of the servo in register 16002 (for axis 1).
- Calculate a new end position for the servo by adding the position where the registration sensor was triggered (stored in register 16002) and the offset position in register 16003.
- Set the value in register 16004 to 1. As long as the value in register 16004 is 1, the absolute position of the servo where registration occurred is locked into register 16002.

The controller does not change the value in register 16002 until the value in register 16004 is reset to zero by your Quickstep program. Resetting register 16004 rearms registration for the next move.

During registration, The deceleration rate for the servo is always the rate you specified.

Setting Up Registration for a Servo

The following program shows how to set up and use a registration offset window:

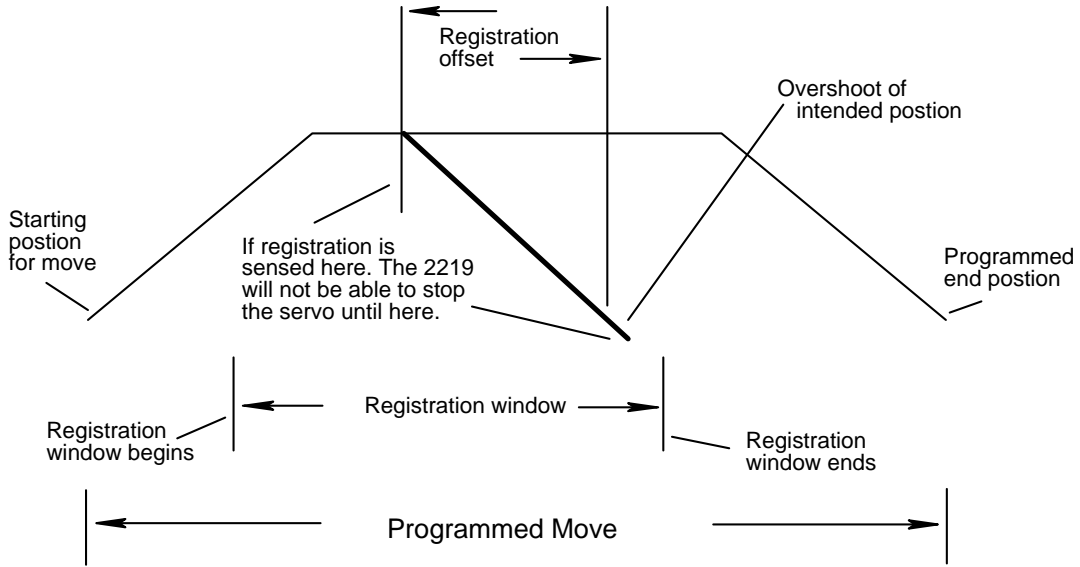
```
[1] REGISTRATION_EXAMPLE
    ;;;
    ;;; Here, we program the registration window for 5000
    ;;; steps and program the registration offset for 7500
    ;;; steps
    _____
    <NO CHANGE IN DIGITAL OUTPUTS>
    _____
    store 5000 to Reg_16001
    store 7500 to Reg_16003
    goto Next
[2] REGISTRATION_MOVE
    ;;;
    _____
    <NO CHANGE IN DIGITAL OUTPUTS>
    _____
    profile Servo_1 servo at position maxspeed=Reg_501 accel=
      Reg_502 P=Reg_503 I=Reg_504 D=Reg_505
    store Servo_1:position + 2000 to Reg_16000
    store 0 to Reg_16004
    turn Servo_1 ccw Index steps
    monitor Servo_1:stopped goto Next
[3] REGISTRATION_CHECK
    ;;;
    _____
    <NO CHANGE IN DIGITAL OUTPUTS>
    _____
    if Reg_16004=1 goto GOT_REGISTRATION
    delay Reg_100 min goto REGISTRATION_MOVE
[4] GOT_REGISTRATION
    ;;;
    _____
    <NO CHANGE IN DIGITAL OUTPUTS>
    _____
    store Reg_16002 to Reg_10
```

Overshooting the End Position

When you program a registration offset, the deceleration rate is always the rate you programmed. This makes it possible to write a Quickstep program so that the servo can overshoot the intended end position once the offset is taken into account. The illustration on the following page shows a case where the servo is unable to decelerate in time to stop at the new end position.

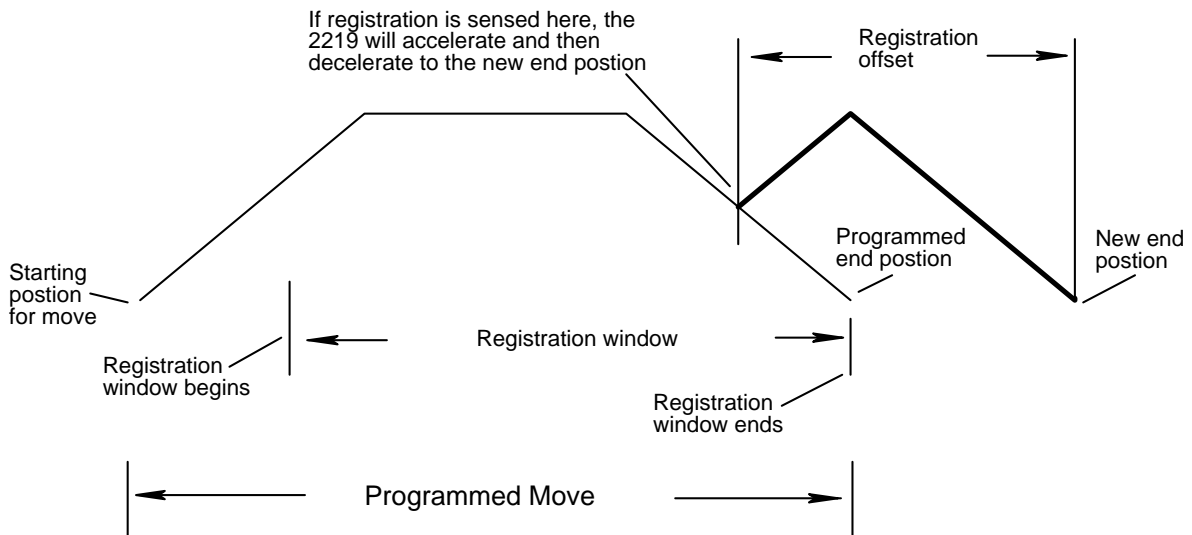
You should take care that this does not happen. Two possible methods of avoiding this problem are as follows:

- Raise the deceleration rate so that the servo can reach the desired offset position
- Lengthen the registration offset value.



Registration During Deceleration

In cases where the controller senses registration during the deceleration portion of a programmed move. In the following example, the servo re-accelerates when it senses registration and then decelerate to a stop at the new end position. If there is sufficient distance available before the new end position is reached, the servo either accelerates to the maximum speed or accelerates until it is time to decelerate before decelerating to a stop at the new end position. This is an automatic function.



Setting Up Registration for a Servo

Guidelines and Rules for Setting up Registration

Following these guidelines and rules will make it easier to program your MultiPro for accurate registration:

- Make sure the registration offset value reflects the direction the servo is traveling. A positive value represents a clockwise direction and a negative value represents a counter clockwise direction. Failure to take the direction into account, results in your servo becoming uninitialized at the point where registration is triggered.
- To inhibit the registration offset function, use a `STORE` instruction to set it to zero.
- The MultiPro senses registration when the state of your sensor changes to the opposite state.

Servo Hardware Considerations

Dedicated Inputs

All of the MultiPro+ servo board's dedicated inputs are internally pulled-up to 24 VDC, requiring a contact closure to 24 V Return to actuate. The contact closure can be supplied by a mechanical switch or by certain types of solid state open-collector outputs.

- Forward Limit – If the servo is moving clockwise, disables all clockwise movement, attempting to stop the servo instantaneously.¹
- Reverse Limit – If the servo is moving counter clockwise, disables all counter clockwise movement, attempting to stop the servo instantaneously.¹
- Kill – places the MultiPro+ servo board in an uninitialized state which sets the command output to 0 V DC. The contact output for this axis opens to disable your servo drive. Refer to *Enabling a Servo Drive* for an explanation about the kill dedicated input.

In critical or dangerous applications, external means should be used to implement an E-STOP function!

- Home – used to establish a home (zero) reference point for absolute positioning. Refer to *Searching for Home*.
- Start – any motion may, optionally, be programmed to wait for this input.

To use the Start dedicated input you must program your TURN SERVO instruction using the ON START parameter. The MultiPro+ servo checks the On Start input every 4 ms, which improves the repeatability of the start motion. The motion does not begin until the Start switch is activated.

You can also redirect the On-Start feature to occur when the leader servo reaches a user defined position. To choose this option, store a 1 in register 13801 and store the absolute leader position, where you want the motion to start, in register 13901. You should then program your TURN SERVO instruction for the servo using the On Start parameter. The motion will commence when the leader's position reaches the set point value in register 13901.

- Registration – accurately captures the servo position and, if desired, can alter the move. Refer to *Using the Registration Input* for more information.

NOTE: If a servo has been stopped by any of the above stop inputs, the programmed instruction MONITOR SERVO STOPPED becomes true and your program proceeds to the step specified.

Not all of the dedicated inputs are active at the same time. The following list describes when the dedicated inputs are active and inactive.

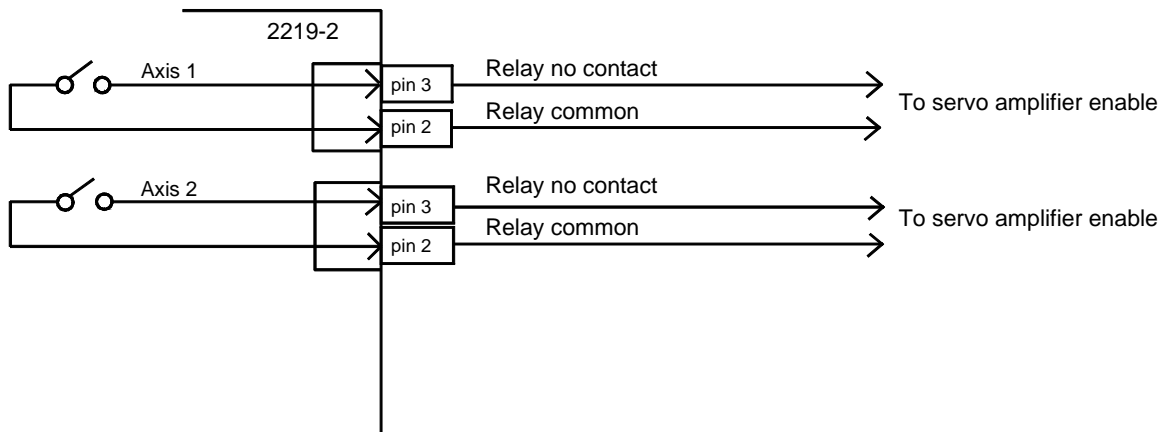
- Forward Limit input – This input is active only when the servo is moving in the clockwise direction. This allows the servo to back off a limit switch, because you can still move counter clockwise.
For example, if the Forward Limit input is connected to a limit switch for a linear table and the table hits the limit switch, the table can still move counter clockwise and return to the home position.
- Reverse Limit input – This input is active only when the servo is moving in the counter clockwise direction.
- Kill input – This input is active at all times.
- Start input – This input is active when you have programmed a TURN SERVO instruction with an ON START parameter.
- Registration – This input is active only when the registration feature is active.

1. For these inputs to take effect, the MultiPro's servo board must have full closed loop control. The forward and reverse limits do not stop a motor that has lost its encoder feedback.

Servo Hardware Considerations

Enabling Servo Drives

The following diagram shows how to connect the command output to a servo amplifier enable input. This is Control Tech's recommended method of inhibiting an external servo drive.



The enable relay closes when the controller executes a `PROFILE SERVO` instruction containing a `SERVO AT POSITION` parameter for the holding mode. The enable relay remains closed unless one of the following actions occur:

- The servo error exceeds ± 32768 .²
- The kill dedicated input closes.²
- The controller executes a `PROFILE SERVO` instruction containing a `MOTOR OFF` parameter for the holding mode and stops the servo.

2. When the servo error exceeds the limit or the kill input closes, the servo axis becomes uninitialized. In this case, a new complete `PROFILE SERVO` instruction must be executed prior to turning the servo.

Sample Quickstep Programs

The following pages contain sample quickstep programs.

Example 1 – Absolute Move of One Servo Motor

This example shows a servo motor moving 100,000 steps from its home position. The `monitor servo_1:stopped` instruction causes the controller's program to remain in this step until the motor completes the move.

Maxspeed units are in steps per second. Acceleration units are in steps per second².

```
[1] ONE_AXIS_ABSOLUTE_MOVE
    ;;; This program will commence an absolute move on axis one
    ;;; based on the parameters in the profile instruction.
    _____
    <NO CHANGE IN DIGITAL OUTPUTS>
    _____
    profile servo_1 maxspeed=50000 accel=100000
    turn servo_1 to 100000
    monitor servo_1:stopped goto next
```

Example 2 – Relative Move of One Servo Motor

This example shows a servo motor moving clockwise 100,000 steps from its current position. The `monitor servo_1:stopped` instruction causes the controller's program to remain in this step until the motor completes the move.

Maxspeed units are in steps per second. Acceleration units are in steps per second².

```
[1] ONE_AXIS_RELATIVE_MOVE
    ;;; This program will commence an relative move on axis
    ;;; one based on the parameters in the profile instruction.
    _____
    <NO CHANGE IN DIGITAL OUTPUTS>
    _____
    profile servo_1 maxspeed=50000 accel=100000
    turn servo_1 cw 100000 steps
    monitor servo_1:stopped goto next
```

Example 3 – Velocity Move of One Servo Motor

This example shows a servo motor moving clockwise from its current position. The motor will turn until it receives a `STOP SERVO` instruction or until a stop input is activated. The `monitor servo_1:stopped` instruction causes the controller's program to remain in this step until the motor completes the move.

Maxspeed units are in steps per second. Acceleration units are in steps per second².

```
[1] ONE_AXIS_VELOCITY_MOVE
    ;;; This program will commence a velocity move on axis one
    ;;; based on the parameters in the profile instruction.
    _____
    <NO CHANGE IN DIGITAL OUTPUTS>
    _____
    profile servo_1 maxspeed=50000 accel=100000
    turn servo_1 cw
    monitor servo_1:stopped goto next
```

Example 4 – Changing the Velocity of a Servo Motor During Motion

This sample program positions a servo motor while generating various velocity profiles throughout the move. After the initial parameters are set, the motor motion is started. When the position reaches 50000 steps, the program continues to next step. Each subsequent step changes the velocity and specifies the servo position where the program moves to the next step.

Maxspeed units are in steps per second. Acceleration units are in steps per second².

```
[1] COMPLEX_PROFILE
-----
<NO CHANGE IN DIGITAL OUTPUTS>
-----
profile servo_1 maxspeed=10000 accel=200000
turn servo_1 to 50000
if servo_1:position >= 50000 goto next

[2] SECOND_PROFILE
;;; Re-profile the motor for the a new velocity.
-----
<NO CHANGE IN DIGITAL OUTPUTS>
-----
profile servo_1 maxspeed=20000
if servo_1:position >= 70000 goto next

[3] THIRD_PROFILE
;;; Re-profile the servo for a new velocity.
-----
<NO CHANGE IN DIGITAL OUTPUTS>
-----
profile servo_1 maxspeed=50000
if servo_1:position >= 110000 goto next

[4] FOURTH_PROFILE
;;; Re-profile the servo for a new velocity.
-----
<NO CHANGE IN DIGITAL OUTPUTS>
-----
profile servo_1 maxspeed=100000
if servo_1:position >= 300000 goto next

[5] FIFTH_PROFILE
;;; Re-profile the servo for the next velocity.
-----
<NO CHANGE IN DIGITAL OUTPUTS>
-----
profile servo_1 maxspeed=80000
if servo_1:position >= 420000 goto next

[6] SIXTH_PROFILE
;;; Re-profile the servo for the final velocity and wait for
;;; the move to complete.
-----
<NO CHANGE IN DIGITAL OUTPUTS>
-----
profile servo_1 maxspeed=30000
monitor servo_1:stopped goto PROFILE_COMPLETE
```

Example 5 – Ratio Axis to Leader Encoder

```
[1] RATIO_AXIS_TO LEADER_ENCODER
    ;;; This example sets up a ratio of a servo motor (axis 1) to
    ;;; an external encoder. Axis 1 is the follower axis and the
    ;;; external encoder is the leader axis.
    ;;;
    ;;; This step sets up the initial parameters for the servo
    ;;; motion and programs a ratio for axis 1. The ratio is 2
    ;;; to 1. From this point on, axis 1 follows all leader posi-
    ;;; tions and velocity activities using the ratio specified.
    _____
    <NO CHANGE IN DIGITAL OUTPUTS>
    _____
    profile servo_1 servo at position maxspeed
    store 5000 to reg_16005
    store 10000 to reg_16006
    goto next
```

Register 16005 contains the ratio numerator, and register 16006 contains the ratio denominator for the follower axis.

Special Purpose Registers for Servos

Group access special purpose registers display the same parameters for all of the 16 axes together. Individual access special purpose registers display all the parameters for a single axis.

The special registers are the same as the ones in the 2600/2700 series controllers and are set up for 16 axis of motion. For the MultiPro+ 1.5 Servo, use the first two registers, for example register 14001 contains the current position of servo axis 1, and 14002 contains the current position of servo axis 2.

NOTE: R indicates that the controller can read the register.
W indicates that the controller can write to the register.

Group Access

Leader On-Start Feature

Registers 13801 - 13816	R/W	Leader on-start enable 0 = disabled 1 = enabled
-------------------------	-----	---

Registers 13901 - 13916	R/W	Leader position set point for triggering armed axis
-------------------------	-----	---

Axis Status and Feed Forward Parameters

Registers 14001 - 14016	R/W	Actual position
-------------------------	-----	-----------------

Registers 14101 - 14116	R only	Position error
-------------------------	--------	----------------

Registers 14201 - 14216	R only	Theoretical velocity
-------------------------	--------	----------------------

Registers 14301 - 14316	R only	Status 0 = Un-initialized 1 = Stopped 2 = Waiting 3 = Accelerating 4 = At speed 5 = Deceleration speed 6 = Decelerating to stop 7 = Commence soft stop 8 = Commence registration move 9 = Searching for home 10 = Following (ratioed from leader) 12 = Command accepted 128-255 = Errors
-------------------------	--------	---

Registers 14401 - 14416	R only	Cumulative (integrated) position error
-------------------------	--------	--

Registers 14501 - 14516	R/W	Velocity feed forward constant. Normal values 0 to 65535
-------------------------	-----	---

Registers 14601 - 14616	R/W	Deceleration rate. Normal values 1 to 130,000,000 pulses/sec ² .
-------------------------	-----	--

Registers 14701 - 14716	R only	Monitoring dedicated (auxiliary) inputs using a bit map. The default is normally open inputs. bit 0 = Not used bit 1 = Home bit 2 = Start bit 3 = Kill command bit 4 = Reverse limit bit 5 = Forward limit bit 6 = Index bit 7 = Not used
-------------------------	--------	---

Registers 14801 - 14816	R/W	Acceleration feed forward constant. Normal values 0 to 65535
-------------------------	-----	---

Individual Access

Axis Status and Feed Forward Parameters

Axis No. 1

Register 15000	R/W	Actual position
Register 15001	R only	Position error
Register 15002	R only	Theoretical velocity
Register 15003	R only	Status 0 = Un-initialized 1 = Stopped 2 = Waiting 3 = Accelerating 4 = At speed 5 = Deceleration speed 6 = Decelerating to stop 7 = Commence soft stop 8 = Commence registration move 9 = Searching for home 10 = Following (ratioed from leader) 12 = Command accepted 128-255 = Errors
Register 15004	R only	Cumulative (integrated) position error
Register 15005	R/W	Velocity feed forward constant. Normal values 0 to 65535
Register 15006	R/W	Deceleration rate. Normal values 1 to 130,000,000 pulses/sec ² .
Register 15007	R only	Monitoring dedicated (auxiliary) inputs using a bit map. The default is normally open inputs. bit 0 = Not used bit 1 = Home bit 2 = Start bit 3 = Kill command bit 4 = Reverse limit bit 5 = Forward limit bit 6 = Index bit 7 = Not used
Register 15008	R/W	Acceleration feed forward constant. Normal values 0 to 65535
Axis No. 2	Register 15010 - 15018	
Axis No. 3	Register 15020 - 15028	
Axis No. 4	Register 15030 - 15038	
Axis No. 5	Register 15040 - 15048	
Axis No. 6	Register 15050 - 15058	
Axis No. 7	Register 15060 - 15068	
Axis No. 8	Register 15070 - 15078	
Axis No. 9	Register 15080 - 15088	
Axis No. 10	Register 15090 - 15098	
Axis No. 11	Register 15100 - 15108	
Axis No. 12	Register 15110 - 15118	
Axis No. 13	Register 15120 - 15128	
Axis No. 14	Register 15130 - 15138	
Axis No. 15	Register 15140 - 15148	
Axis No. 16	Register 15150 - 15158	

Special Purpose Registers for Servos

Registration Feature

Axis No. 1

Register 16000	R/W	Specifies the position where the registration window begins. Absolute position, specified as the number of steps from the servo's home position. Normal values -2,147,483,648 to 2,147,483,647.
Register 16001	R/W	Specifies the position where the registration window ends. Relative position, specified as the number of steps from the beginning of the registration window. Normal values -2,147,483,648 to 2,147,483,647.
Register 16002	R only	Indicates the position where registration occurred. Absolute position, and is the number of steps from the servo's home position. Normal values -2,147,483,648 to 2,147,483,647.
Register 16003	R/W	Specifies an offset to be added to the location where registration occurred. Relative position, specified as the number of steps from registration position. Normal values -2,147,483,648 to 2,147,483,647.
Register 16004	R/W	Indicates whether or not registration occurred. 1 indicates registration occurred. 0 indicates that the servo is ready for registration move.

Axis No. 2	Register 16010 - 16014
Axis No. 3	Register 16020 - 16024
Axis No. 4	Register 16030 - 16034
Axis No. 5	Register 16040 - 16044
Axis No. 6	Register 16050 - 16054
Axis No. 7	Register 16060 - 16064
Axis No. 8	Register 16070 - 16074
Axis No. 9	Register 16080 - 16084
Axis No. 10	Register 16090 - 16094
Axis No. 11	Register 16100 - 16104
Axis No. 12	Register 16110 - 16114
Axis No. 13	Register 16120 - 16124
Axis No. 14	Register 16130 - 16134
Axis No. 15	Register 16140 - 16144
Axis No. 16	Register 16150 - 16154

Axis Following Feature

Axis No. 1

Register 16005	R/W	Ratio numerator. Normal values ± 32767 .
Register 16006	R/W	Ratio denominator. Normal values 1 to 32767.
Register 16007	R only	Leader position. Normal values -2,147,483,648 to 2,147,483,647.
Register 16008	R only	Leader velocity. Normal values $\pm 4,000,000$.
Register 16009	W access	Transfers data-table row to corresponding cam-table row. Available in the Model 2219-1CF only.
	R access	Reads current cam-table row being executed. Available in the Model 2219-1CF only.

Axis No. 2	Register 16015 - 16019
Axis No. 3	Register 16025 - 16029
Axis No. 4	Register 16035 - 16039
Axis No. 5	Register 16045 - 16049
Axis No. 6	Register 16055 - 16059
Axis No. 7	Register 16065 - 16069

Axis No. 8	Register 16075 - 16079
Axis No. 9	Register 16085 - 16089
Axis No. 10	Register 16095 - 16099
Axis No. 11	Register 16105 - 16109
Axis No. 12	Register 16115 - 16119
Axis No. 13	Register 16125 - 16129
Axis No. 14	Register 16135 - 16139
Axis No. 15	Register 16145 - 16149
Axis No. 16	Register 16155 - 16159

Special Registers for Additional Features

Axis No. 1

Register 17000	R only	Firmware version number
Register 17001*	R/W	Servo filter selection, using a bit map. 0 = default (PID) 1 = Direct CCW 2 = Direct CW 3 = PID 5 = PAV 7 = Virtual master 128 = Encoder following mode (See page 31)
*Must be set prior to initial profile instruction.		
Register 17002	R/W	Reverses input polarity so that the default is normally closed. Uses a bit map. bit 0 = Not used bit 1 = Home bit 2 = Start bit 3 = Kill command. Cannot be changed, remains open. bit 4 = Reverse limit bit 5 = Forward limit bit 6 = Index. Cannot be changed, remains open. bit 7 = Not used
Register 17003	R/W	Direction of home 0 = default (CCW) +1 = CW -1 = CCW
Register 17005	R only	Number of bytes per row in cam-table
Axis No. 2	Register 17010 - 17015	
Axis No. 3	Register 17020 - 17025	
Axis No. 4	Register 17030 - 17035	
Axis No. 5	Register 17040 - 17045	
Axis No. 6	Register 17050 - 17055	
Axis No. 7	Register 17060 - 17065	
Axis No. 8	Register 17070 - 17075	
Axis No. 9	Register 17080 - 17085	
Axis No. 10	Register 17090 - 17095	
Axis No. 11	Register 17100 - 17105	
Axis No. 12	Register 17110 - 17115	
Axis No. 13	Register 17120 - 17125	
Axis No. 14	Register 17130 - 17135	
Axis No. 15	Register 17140 - 17145	
Axis No. 16	Register 17150 - 17155	