

# Analog combo I/O module

AI/O

M1-30A

## Analog combo 2 in, 2 out ( $\pm 10$ VDC)

- ▶ 16-bit analog input converter
- ▶ Optically and electrically isolated
  - Each channel has an electrically isolated analog ground
  - Each channel is individually optically isolated
- ▶ Each channel has individually configurable digital filtering

## General specifications

Inputs per module	2 (differential ended)
Outputs per module	2 (single ended)
Input type	Voltage, $\pm 10$ VDC
Output type	Voltage, $\pm 10$ VDC
Connector	Removable
Connection type	Screw terminal
Terminal wire size	14 – 22 AWG
Test point	All connections
Module size	1 controller bay

Bus power required (5 VDC)	0.2 mA
Isolation rating	500 VDC
Operating temperature	
Horizontal installation <sup>1</sup>	0 – 50°C
Vertical installation <sup>1</sup>	0 – 45°C
Storage temperature	-25 – 85°C
Humidity	5 – 95% non-condensing
5100 equivalent part number	A

1. Refer to the applicable controller datasheet for proper mounting instructions.

## Performance specifications

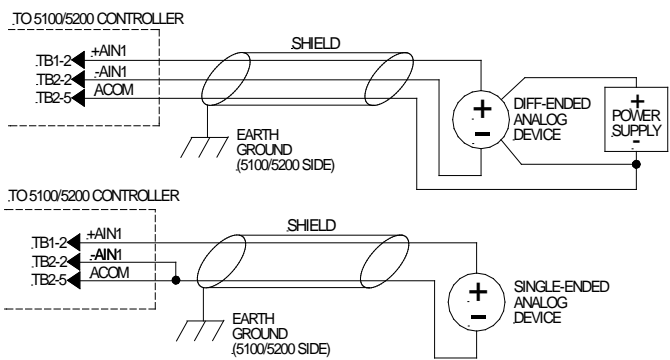
Parameter	Value
Input range	-10 V to 10 V
Output range	-10 V to 10 V
Input resolution	16-bit
Output resolution	16-bit
Input resistance	
+Ain to -Ain	$10^{12} \Omega$
+Ain to ACOM	$10^{12} \Omega$
-Ain to ACOM	1.5 M $\Omega$
Max input voltage	$\pm 15$ VDC

Parameter	Value
Full range calibration error <sup>1,2</sup>	0.013% of range
Offset calibration error at 0 V <sup>1,2</sup>	0.013% of range
Linearity error (full range) <sup>1,2</sup>	0.037% of range
Digital input filter size (settable)	1 – 255 samples
Digital input filter rate	5 msec
Output slew rate (max)	10 V/ $\mu$ sec
Max output current	5 mA
Controller engineering units (channel configurable)	10 VDC = 10,000 or 10 VDC = 10,000,000

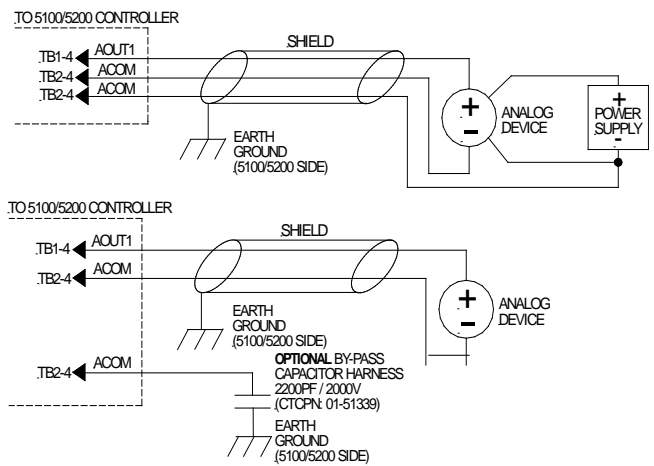
1. Errors are at 25°C.
2. Errors are double across full ambient temperature range of 0 – 50°C.

### Typical Application

#### Analog Input Application

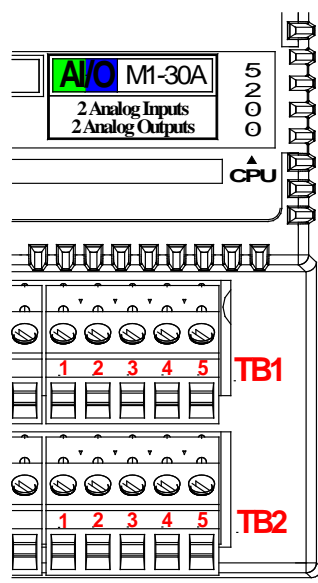


#### Analog Output Application



	5100	5200
Minimum hardware revision	B, C, D, E	B, C, D, E
Minimum firmware revision	1.07	1.07
Minimum operating system revision	4.04.12	5.06
Document number: 950-513005-0004		

### Connections



#### I/O Terminations

TB1-1	VS_OUT
TB1-2	+Ain #1
TB1-3	+Ain #2
TB1-4	Aout #1
TB1-5	Aout #2
TB2-1	VS_RTN
TB2-2	-Ain #1
TB2-3	-Ain #2
TB2-4	ACOM
TB2-5	ACOM

### Notes

- Shield grounds must be terminated on the controller side of the cable.
- When an analog device is powered via an external power source, it may be necessary to tie the ground of this power source to the module's analog common (ACOM) to limit common mode voltages.
- For register and programming information, refer to the appropriate controller Applications Guide.
- The information and illustrations contained herein are the property of Control Technology Corporation and are subject to change without notice. Data based on VS = 24VDC @ 25°C unless otherwise noted. For additional information and/or updates visit [www.ctc-control.com](http://www.ctc-control.com).
- VS refers to the voltage supply of the controller.