

Digital input module

DI

M1-11C

8 sourcing inputs (+5 VDC)

- ▶ Wide input hysteresis voltage for solid switch points
- ▶ Individual channel status LEDs
- ▶ Optically isolated

General specifications

| | | | |
|--------------------|-------------------|--------------------------------------|------------------------|
| Inputs per module | 8 | Isolation rating | 500 VDC |
| Input type | VDC sourcing | Operating temperature | |
| Connector | Removable | Horizontal installation ¹ | 0 - 50°C |
| Connection type | Screw terminal | Vertical installation ¹ | 0 - 45°C |
| Terminal wire size | 14 - 22 AWG | Storage temperature | -25 - 85°C |
| Test point | All connections | Humidity | 5 - 95% non-condensing |
| Status indicator | One LED per input | 5100 equivalent part number | M |
| Module size | 1 controller bay | | |

1. Refer to the applicable controller datasheet for proper mounting instructions.

Performance specifications

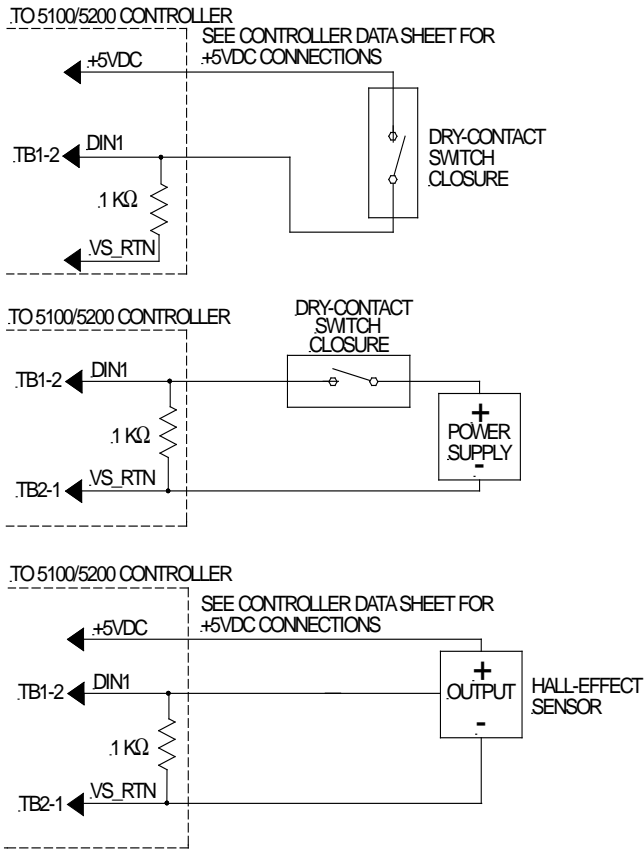
| Parameter | Value |
|----------------------------|------------------------|
| Input voltage (VS) | 4.5 - 5.5 VDC |
| Max voltage | 32 VDC |
| Nominal voltage (VN) | 5 VDC |
| Turn ON threshold | 4.0 VDC |
| Turn OFF threshold | 1.0 VDC |
| Min hysteresis voltage | 2.5 VDC |
| Min input current | 5.5 mA @ 5 VDC |
| Input resistance to VS_RTN | 1 K Ω \pm 10% |
| Min ON current | 5.4 mA |
| Max OFF current | 1.1 mA |
| Hardware filter | < 1.8 msec |

Digital input module

DI

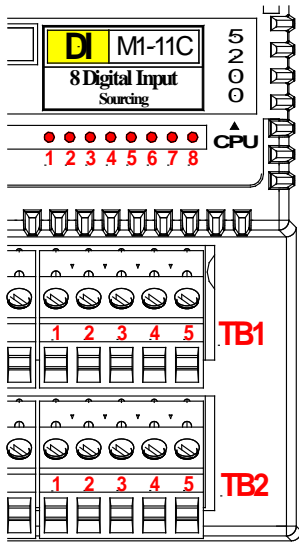
M1-11C

Typical Application



| | | |
|-----------------------------------|------|------|
| | 5100 | 5200 |
| Minimum hardware revision | 0, A | 0, A |
| Minimum firmware revision | N/A | N/A |
| Minimum operating system revision | 4.04 | 5.06 |
| Document number: 950-511107-0003 | | |

Connections



I/O Terminations

| | | |
|-------|------|--------|
| TB1-1 | | VS_OUT |
| TB1-2 | LED1 | Din #1 |
| TB1-3 | LED3 | Din #3 |
| TB1-4 | LED5 | Din #5 |
| TB1-5 | LED7 | Din #7 |
| TB2-1 | | VS_RTN |
| TB2-2 | LED2 | Din #2 |
| TB2-3 | LED4 | Din #4 |
| TB2-4 | LED6 | Din #6 |
| TB2-5 | LED8 | Din #8 |

Notes

- When a digital device is powered via an external power source, it may be necessary to tie the ground of this power source to the controller's voltage supply ground (VS_RTN).
- For register and programming information, refer to the appropriate controller Applications Guide.
- The information and illustrations contained herein are the property of Control Technology Corporation and are subject to change without notice. Data based on VS = 24VDC @ 25°C unless otherwise noted. For additional information and/or updates visit www.ctc-control.com.